

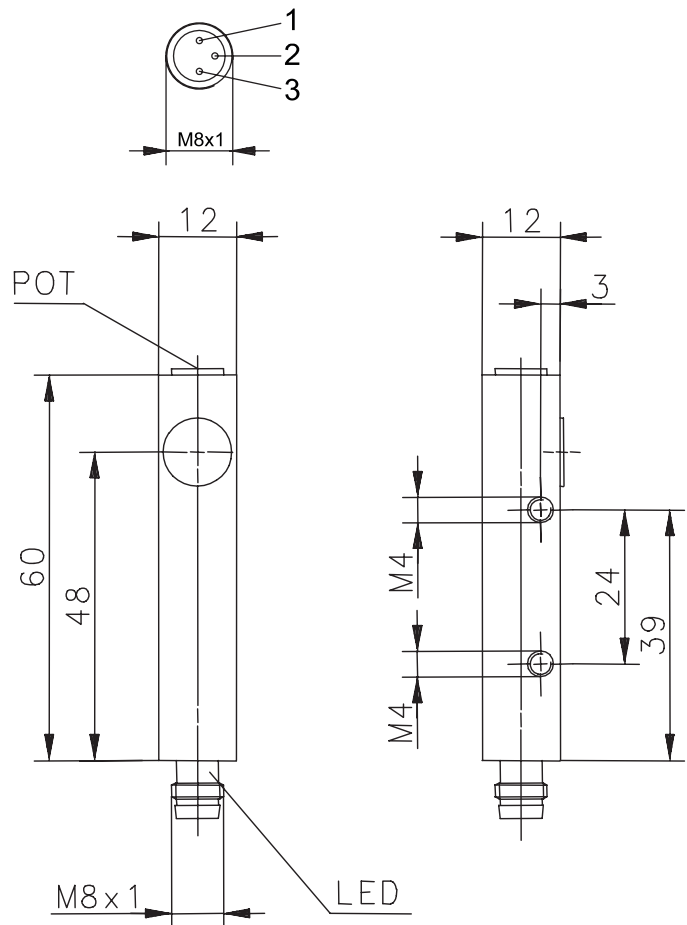
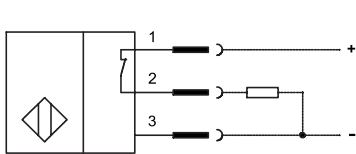
Photoelectric Sensors

Series OR12

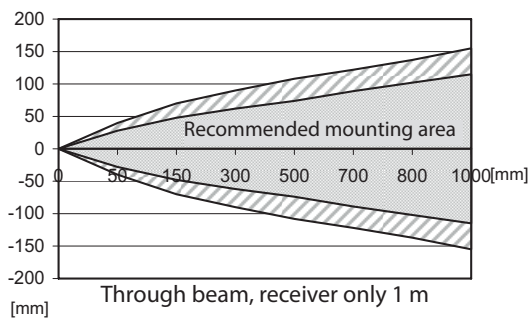
Description **OR12EE-DDTP-01.0-SLE**

Article number **6551755004**

Wiring Diagram



Sensing range



Identifying characteristics in accordance with EN 60947-5-2

Electrical data		
Sensing range	S_d	EE 1 m
Switching element function		PNP - dark activation, permanent overload protection
Repeat accuracy	R	10 %
Differential travel (hysteresis)	H	20 %
Rated operational voltage	U_e	12-24 V DC
Operational voltage range	U_B	10-36 V DC
Rated insulation voltage	U_i	75 V DC
Rated impulse withstand voltage	U_{imp}	500 V
Voltage drop	U_d	< 1,8 V
Utilization category		DC-13
Rated operational current	I_e	50 mA
Minimum operational current	I_m	≤ 1 mA
Off-state current	I_r	≤ 0,1 mA
No-load supply current	I_o	≤ 10 mA
Max. rated output current		200 mA
Ambient light proof		5 kLux
Short-circuit protection		pulsed
Frequency of operating cycles	f	100 Hz
False polarity protection		yes
Time delay before availability	t_v	< 15 ms
Turn on time	t_{on}	< 5 ms

Mechanical Data	
Enclosure	brass, nickel plated
Beam-output	PA 12
Ambient air temperature	-5 °C ... +70 °C
Type of protection	IP65 (only in fully snapped-in position with it's plugs)
Pollution degree	3 (Pollution of the optic can cause impairments of the operating distances.)
Indication	LED yellow
Termination type	Plug-in connection

EU Conformity
acc. to directive 2014/30/EU (EMC-Directive)